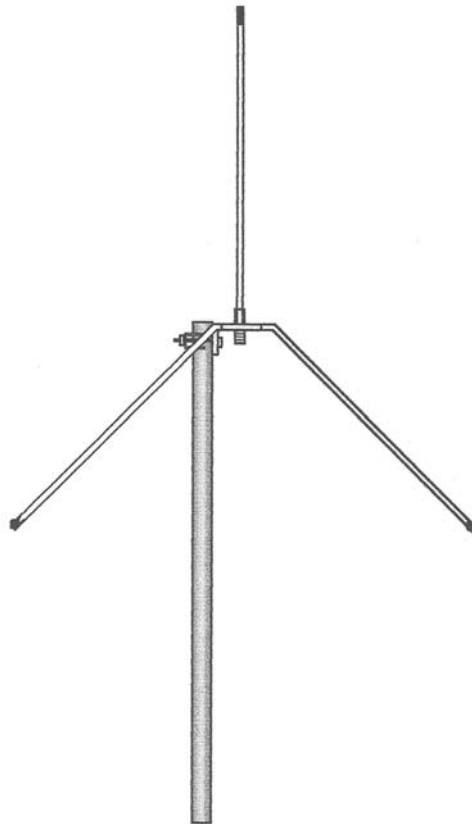


← Arrow Antenna →

911 E. Fox Farm Rd. #2
Cheyenne, WY 82007

ArrowAntennas.com
Simply the Best

(307) 222-4712
info@arrowantennas.com



6 Meter $\frac{1}{4}$ Wave Ground Plane

Guarantee

No hassle refund

If you are not completely satisfied with any ARROW ANTENNA Product it can be returned for a FULL refund less shipping and handling within 90 DAYS of purchase date.

SIMPLY THE BEST

Model

GP 52

Ground Plane

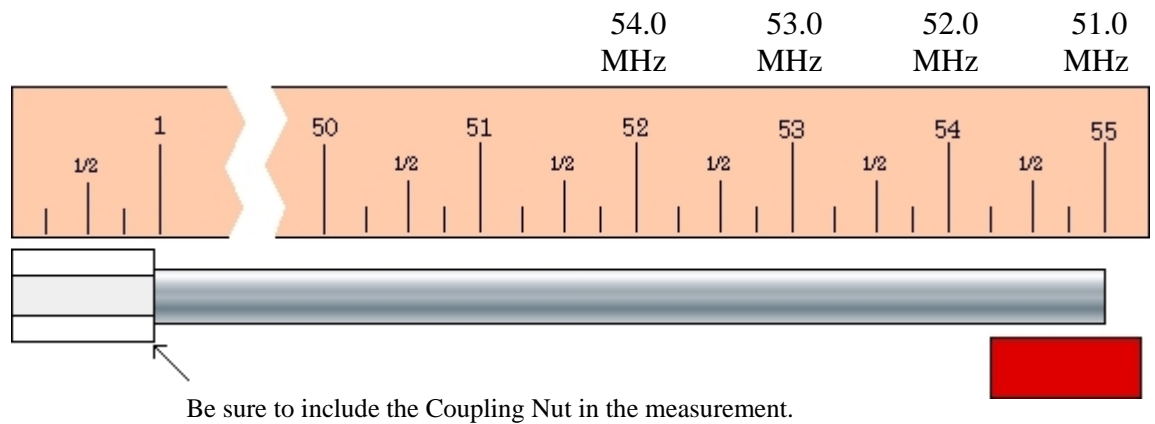
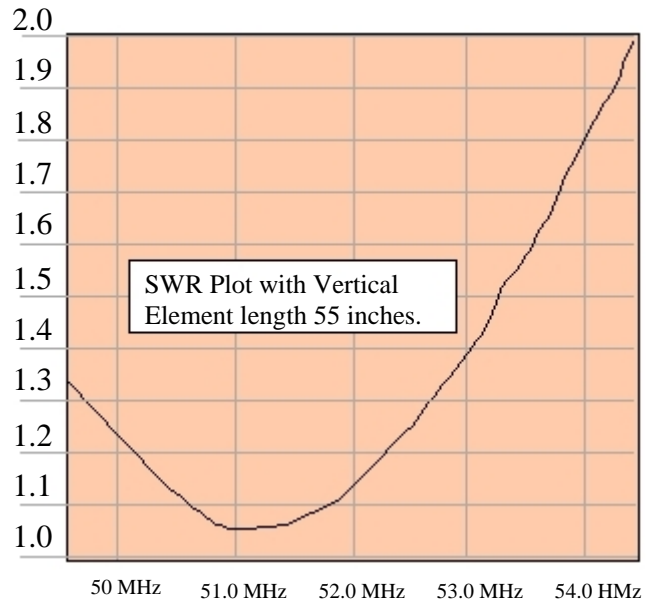
We don't invent antennas.
We simply build them better.

Cutting Chart

For the Driven Element Only.
Do NOT Cut the Ground Radials.

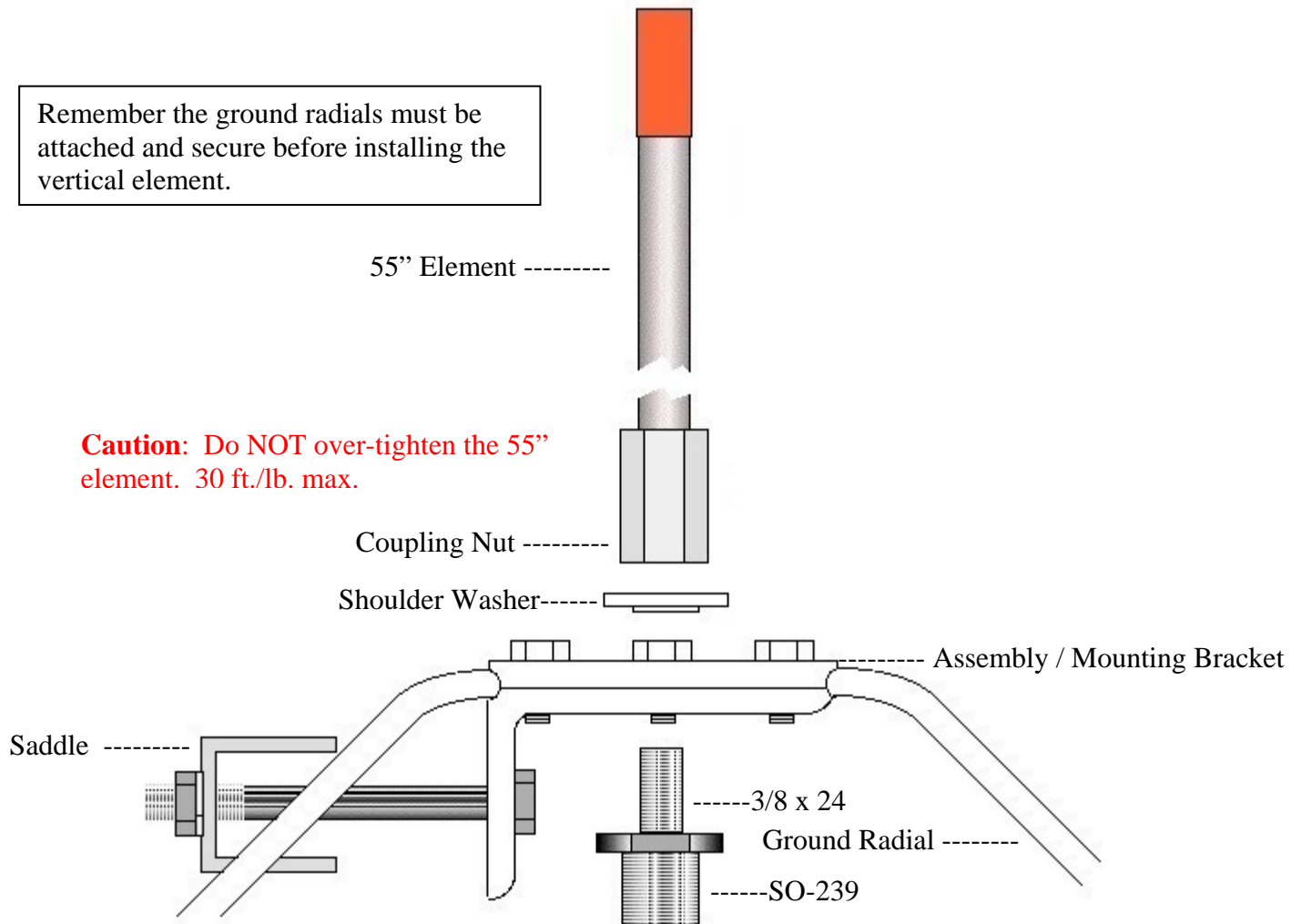
- 55" = 51.0 MHz**
- 54" = 52.0 MHz**
- 53" = 53.0 MHz**
- 52" = 54.0 MHz**

1.2:1 Bandwidth is about 1 MHz.
2.0:1 Bandwidth is almost 5 MHz.



Part #	Price	Model GP 52 Parts List
GP5211	\$10.00	3/8" X 55" Element with Coupling Nut and End Cap
GP1262	\$5.00	1/4" X 55 1/2" Ground Radial with End Cap (Ground Radial)
GP00013	\$15.00	1 1/2" X 2 1/2" X 2 1/2" Assembly / Mounting Bracket
52S206	\$4.00	Saddle Clamp for mounting to a Mast up to 1 1/2" (2 for \$4.)
J14606	\$1.00	Nylon Shoulder Washer for Antenna Mount (2 for \$1.)
J14605	\$3.00	SO-239 Stud & Nylon Shoulder Washer
25C275	\$1.00	2 3/4" Bolt, Nut & Lock Washer for saddle (all Stainless)
(Please add \$8.00 S & H per order. Thank you.)		

Remember the ground radials must be attached and secure before installing the vertical element.



Assembly Instructions

Using a 7/16" wrench, loosen the three 1/4" bolts and insert the four ground radials. Be sure they are inserted all the way in and bottomed out. Snug the four bolts making sure the radials are angled down the same. After the radials are seated correctly, tighten the four bolts.

Install the 55" element in the center hole of the Assembly / Mounting Bracket with the nylon shoulder washer under the element as shown. Tighten with 5/8" wrench.

SWR is basically a way of testing the impedance of your Antenna System. The Antenna System is two parts.

1. Coax and connectors.
2. Antenna.

Before you can test or tune the Antenna, you have to test the other 1/2 of the system first, the Coax & Connectors.

Brand New Coax can be Defective or Damaged.

To test the Coax you will need a 50 ohm Dummy Load and an SWR Meter or Antenna Analyzer.

Note: Some of the MFJ 269 Analyzers do not work right. - - (eHam reviews on the MFJ269) - - The MJF 259B works Great.

Connect the Dummy Load to the end of the coax instead of the Antenna. Connect SWR Meter or Antenna Analyzer to the other end. Check the SWR on all frequencies. SWR should be 1.0:1 on all frequencies. If the SWR is not 1.0:1 or if the SWR varies with frequency, then the Coax is Not up to the task.

Important: Some Coax can test fine on VHF but not at UHF.

Also a known problem with some remote Antenna Switches.

CHECKLIST FOR OUR SHIPPING DEPARTMENT

GP52

- ___ 3/8" x 55" Element with Coupling Nut and End Cap
- ___ 4 @ 1/4" x 55 1/2" Ground Radials with End Cap
- ___ 1 1/2" x 2 1/2" x 2 1/2" Assembly / Mounting Bracket – has **4 bolts** and 1 hole.
- ___ Saddle Clamp
- ___ SO-239 Stud & Nylon Shoulder Washer
- ___ 2 @ 2 3/4" Bolts, Nuts & Lock Washers for saddle